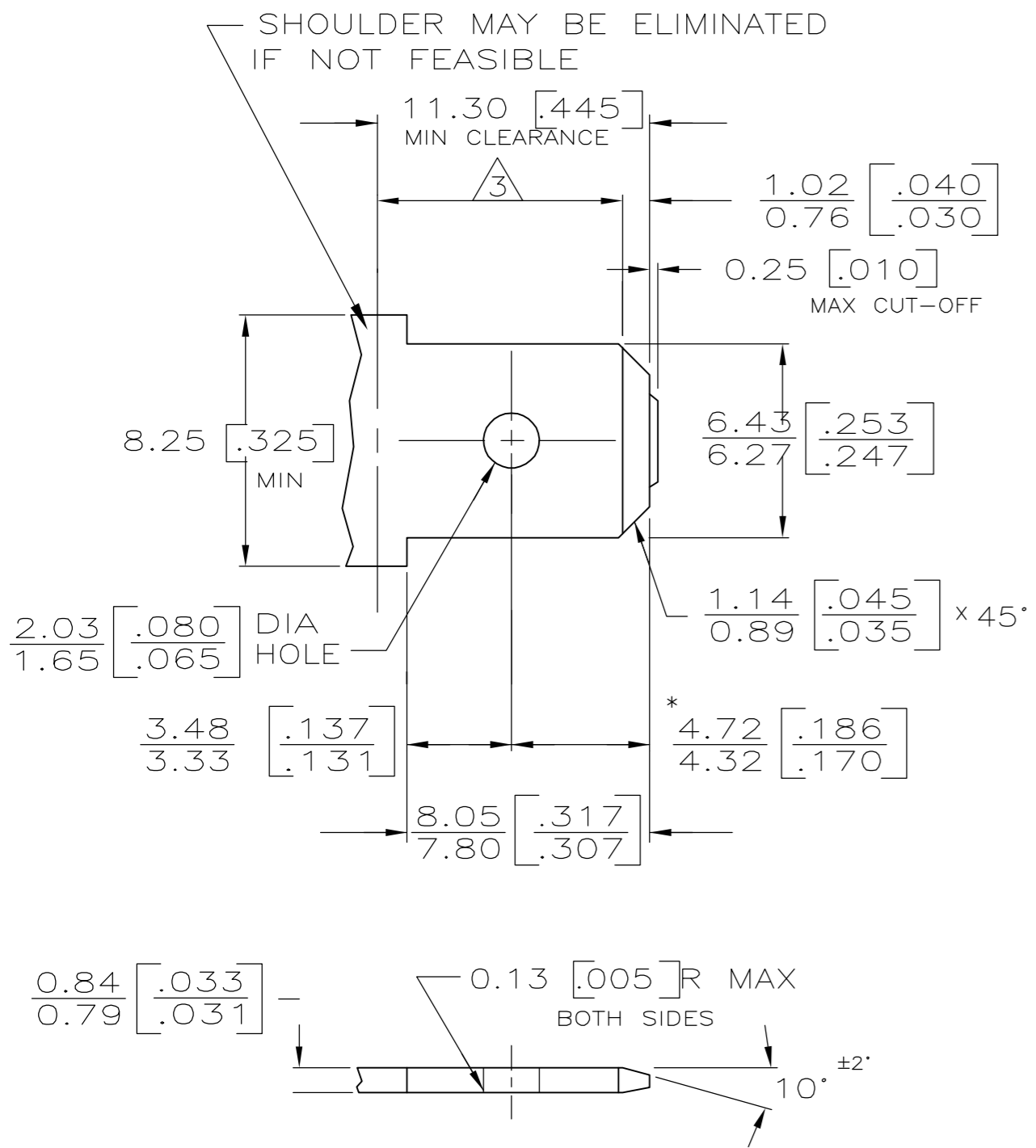


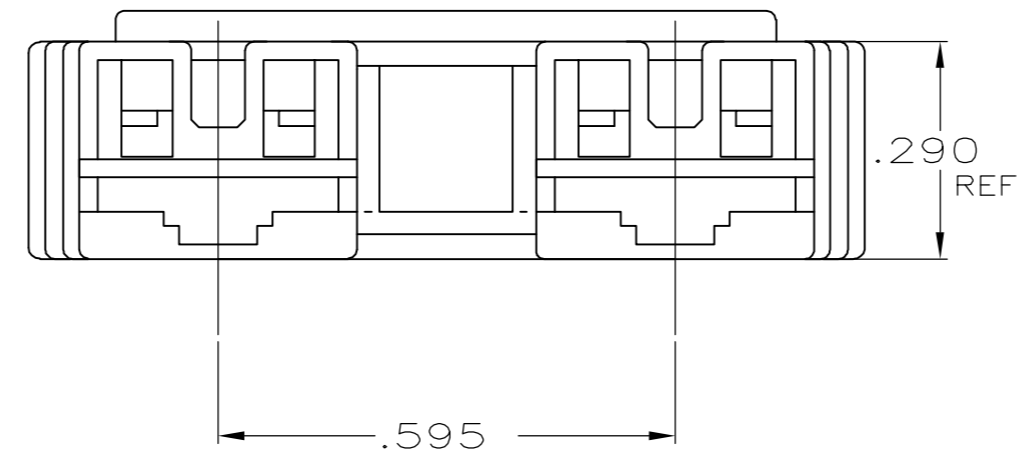
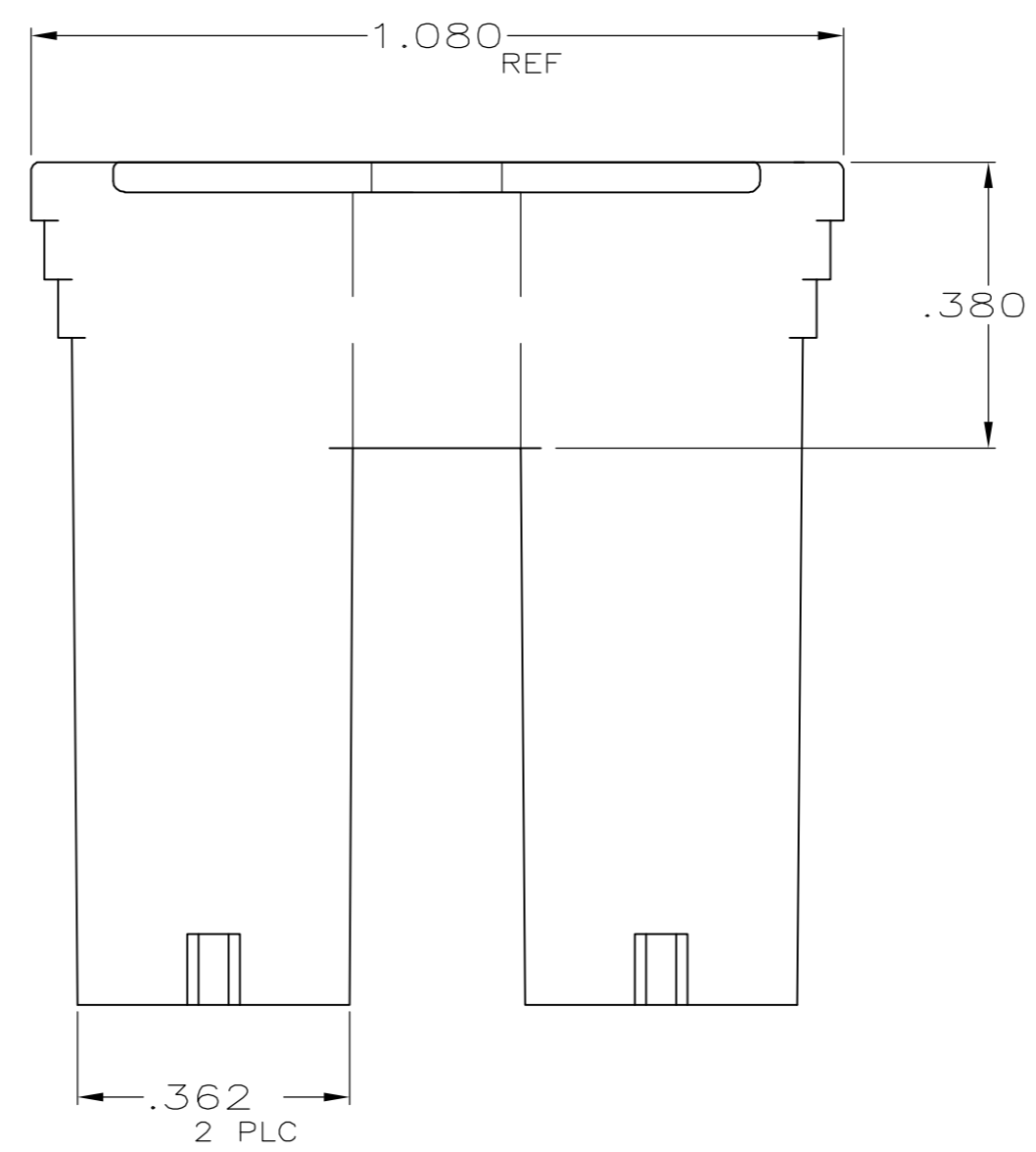
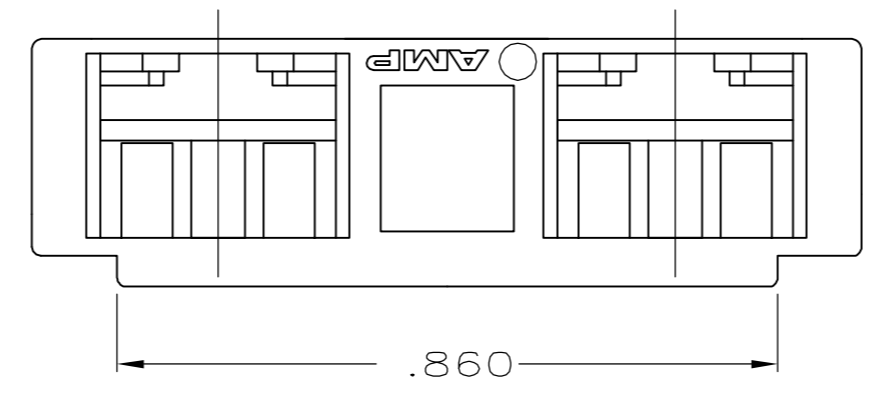
THIS DRAWING IS UNPUBLISHED. RELEASED FOR PUBLICATION
 © COPYRIGHT BY TYCO ELECTRONICS CORPORATION. ALL RIGHTS RESERVED.

LOC		DIST		REVISIONS					
G		01		P	LTR	DESCRIPTION	DATE	DWN	APVD
				P2		REV PER ECR-06-003336	07MAR06	HMR	EH

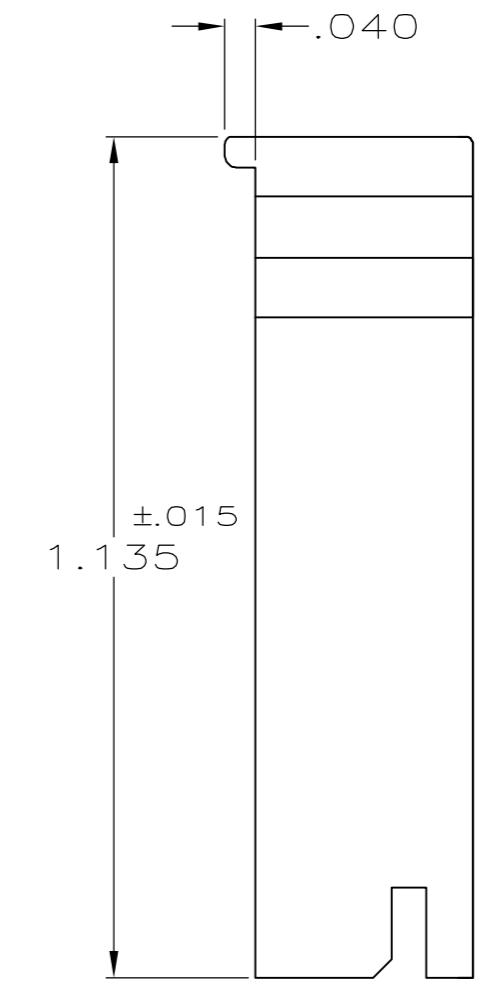
SUGGESTED MATING TAB



- 1 - MATL: 1/2H BRASS OR NICKEL PL STEEL.
 - 2 - NO BURRS PERMISSIBLE AT HOLE.
 - 3 - MUST BE FLAT WITHIN 0.076 [0.003] OVER THIS LENGTH.
 - 4 - TIN PLATING IS REQUIRED ON BRASS WHEN TERMINAL TEMP. IS OVER 225° F.
 - 5 - HOLE MUST BE SYMMETRICAL ABOUT TAB Q WITHIN 0.076 [0.003]
- * TO BE USED ONLY WHEN SHOULDER IS ELIMINATED.



- 1 FOR USE WITH MKII POSITIVE LOCK, LOW INSERTION FORCE FASTON RECEPTACLES AND MOST BUDGET FASTON RECEPTACLES.
- 2 PRELIMINARY - NOT FOR PRODUCTION
- 3 PREPRODUCTION - FASR REQUIRED



VO GREEN	2	1-520935-9
VO BLACK	3	1-520935-8
VO BROWN	2	1-520935-7
VO YELLOW	3	1-520935-6
VO BLUE		1-520935-5
VO RED		1-520935-2
VO NATURAL		1-520935-1
BLACK	2	520935-8
BROWN		520935-7
YELLOW		520935-6
BLUE		520935-5
GREEN		520935-4
WEATHER RESIST BLACK		520935-3
RED		520935-2
NATURAL		520935-1
COLOR		PART NO

THIS DRAWING IS A CONTROLLED DOCUMENT.

DIMENSIONS: INCHES	TOLERANCES UNLESS OTHERWISE SPECIFIED:	DWN JR RUTH 4/14/88	Tyco Electronics Corporation Harrisburg, PA 17105-3608
		CHK M FEHER 4/14/88	
		APVD R KUZO 4/14/88	
		PRODUCT SPEC	
MATERIAL 6/6 NYLON	FINISH SEE TABLE	APPLIC. SPEC	NAME HOUSING, RECPT, POSITIVE-LOCK & STANDARD FASTON, .250 SERIES, MKII SIZE A2 CAGE CODE 00779 DRAWING NO C=520935 RESTRICTED TO WEIGHT - SCALE 4:1 SHEET 1 of 1 REV P2

CUSTOMER DRAWING